

RIBA 400

Any Time, Any Weather™

MED Approved 2014/90/EU

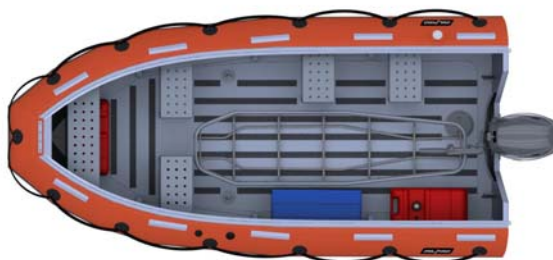


OUTBOARD - "D-SHAPE" COLLAR

REVISION 1

MOST COMPACT RESCUE BOAT ON THE
MARKET

With more than 40 years of expertise in the design and manufacture of professional crafts, MILPRO has developed a new design in SOLAS approved Rescue Boat. No-frill, sturdy, low maintenance the Any Time, Any Weather™ new RIBA 400 is the most compact rescue boat in the market.



CAPACITY

. Max. number of persons :	6
. Number of persons seating :	5
. Number of persons on a stretcher :	1

DIMENSIONS

. Overall length (w/o engine) :	3,92 m
. Overall length (w/ engine) YAMAHA25 :	4,35 m
. Overall length (w/ engine) YAMAHA 40:	4,42 m
. Overall length (w/ engine) MERCURY 25:	4,35 m
. Overall length (w/ engine) MERCURY 40:	4,42 m
. Overall width :	1,94 m
. Inside width :	1,40 m
. Hull height :	1,09 m

HANDLING / LIFELINE

. Exterior lifeline on D-rings :	1
. Internal lifeline :	1 + 1
. Handrails underneath hull	1 + 1

HULL CONSTRUCTION

. Hull material :	Aluminium with orange adhesive
. Bulwarks for D-shape tube :	Aluminium
. Seats :	5
. Hull drain :	1
. Self bailers :	2

ENGINE - Outboard, long shaft 20"

Engines and fuel tank options			
Yam 25HP	Yam 40HP	Merc 25HP	Merc 40HP
1 tank 25 L	2 tanks 25 L	1 tank 25 L	1 tank 25 L

SAFETY / INFLATION

. Inflation valve :	1
. Overpressure valve :	1
. Tube air pressure :	240 mbar 3,4 PSI

FABRIC, ORANGE

CSM / Neoprene Duratane™ fabric

. Buoyancy tube :	1110 dtx, polyester
. Reflective tape on tube :	5 + 5
. Reflective tape on hull :	4 + 4

TOWING / LIFTING

. Towing line on bow eye, w/ quick release :	1
. Towing V, on transom tow points :	1
. Lifting points :	4
. Lifting sling, 4 legs, with S/S ring :	1

FIXED EQUIPMENTS

. White al-around flashing light :	1
. Boat hook :	1
. Boarding ladder :	1
. Fuel tank fasteners :	1
. Rescue ring :	2
. Righting ropes :	2
. Towing rope, 50 meter :	1
. Safety stickers (kit) :	1

OPTIONAL EQUIPMENT

. Off load release hook, HCH 1.5	Z5889
. Boat cover	Z66937

ANCILLARY EQUIPMENT - IN ARMAMENT BAG

. Scoop	1
. Compass	1
. Torch with 4 batteries and 1 spare bulb	1
. Radar reflector	1
. Extinguisher 1 kg	1
. First aid kit	1
. Floating knife	1
. Foot pump	1
. Manual	1
. Floating anchor with line	1
. Searchlight	1
. Sponge	2
. Telescopic paddles	2
. Thermal protection	2
. Whistle	1
. Battery box	1
. Repair kit	1

ENGINE OPTIONS

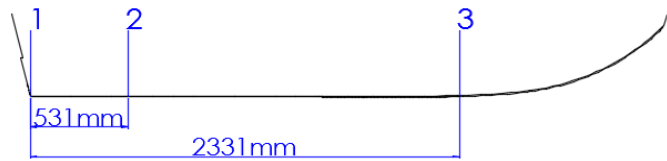
	Yamaha 25 HP Z66965	Yamaha 40 HP Z66966	Mercury 25 HP Z66967	Mercury 40 HP Z66968
Part Number	Z66965	Z66966	Z66967	Z66968
Engine reference	25NMHOL	40 VMHOL	F25 MLH EFI	40MLHGA
Engine horse power	25	40	25	40
Bollard pull force	161	233	172	209
Boat weight with engine and fuel	388	449	413	437
Boat weight with 2 crew	553	614	578	602
Boat weight with 6 pax	883	944	908	932
Propeller guard	Z66933	Z66934	Z66933	Z66934
Fuel tank + fuel line	Z66935	2 x Z66935	Z66936	Z66936

SKU's & PACKAGING

HULL SECTION FOR CRADLE DESIGN

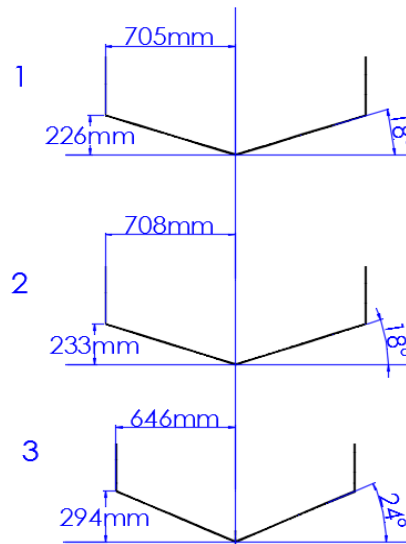
P/N Z34031

- 1 complete boat in individual packaging
- slide on tube to be installed at commissioning
- cardboard box on wooden palette
- dimensions : x=4200 y=1860 z=1370 mm
- gross weight : 450 kg



P/N Z34032

- 2 boats stacked
- slide on tubes to be installed at commissioning
- shrink wrapped on wooden palette
- dimensions : x=3685 y=1500 z=2050 mm
- gross weight : 665 kg



LIFTING INFORMATION W/ YAMAHA 25 HP

	Light Weight	+ 2 PAX	SOLAS + 5 PAX	SOLAS + 5 +1 PAX
Weight (kg)	388	553	800	883
h (m)	2.086	2.107	2.260	2.240
H (m)	2.357	2.309	1.977	2.020
L (m)	1.458	1.493	1.792	1.761
α (degrees)	-1	-2	-11	-10
CGX (m)	1.443	1.483	1.726	1.697
CGY (m)	-	-	-	-
CGZ (m)	0.421	0.492	0.564	0.542

LIFTING INFORMATION W/ YAMAHA 40 HP

	Light Weight	+ 2 PAX	SOLAS + 5 PAX	SOLAS + 5 +1 PAX
Weight (kg)	449	614	861	944
h (m)	2.239	2.091	2.176	2.164
H (m)	2.634	2.443	2.215	2.240
L (m)	1.158	1.407	1.631	1.631
α (degrees)	7	0.4	-6	-6
CGX (m)	1.220	1.410	1.59	1.574
CGY (m)	-	-	-	-
CGZ (m)	0.445	0.503	0.546	0.546

LIFTING INFORMATION W/ MERCURY 25 HP

	Light Weight	+ 2 PAX	SOLAS + 5 PAX	SOLAS + 5 +1 PAX
Weight (kg)	432	578	825	908
h (m)	2.145	2.090	2.225	2.208
H (m)	2.473	2.402	2.068	2.106
L (m)	1.311	1.422	1.730	1.697
α (degrees)	3	0	-9	-8
CGX (m)	1.344	1.411	1.668	1.597
CGY (m)	-	-	-	-
CGZ (m)	0.432	0.497	0.565	0.545

LIFTING INFORMATION W/ MERCURY 40 HP

	Light Weight	+ 2 PAX	SOLAS + 5 PAX	SOLAS + 5 +1 PAX
Weight (kg)	437	602	850	932
h (m)	2.211	2.098	2.191	2.178
H (m)	2.637	2.493	2.231	2.249
L (m)	1.196	1.385	1.665	1.631
α (degrees)	6	1	-7	-6
CGX (m)	1.259	1.442	1.615	1.597
CGY (m)	-	-	-	-
CGZ (m)	0.441	0.501	0.566	0.554

